



**i8-250-AUTO
Pneumatic Automatic
Loading System**

I8-250-AUTO

Pneumatic Automatic Loading System

Pneumatically powered dual-ram system to enable continuous feeding of waste into an I8-250 incinerator - increases efficiency, safety and longevity of system.



- Horizontal sliding door to enable safe and efficient waste loading
- Minimal power consumption
- 20 seconds loading time
- Push button operation
- Optional hydraulic bin-tipping machine (EU size bins 120/240L)
- Inclined chute for simple waste feeding in the loading hopper, prevents overspill.



The Auto Loading Process

The I8-250-AUTO (Automatic Loading System) is a pneumatically powered external loading module with a dedicated waste loading door and vertical interlocking charging door connected to incinerator combustion chamber.

Push button operation will open the horizontal feeding door which will allow the operator to deposit waste into the loading hopper, the vertical loading door will then open which allows the pneumatic ram to charge waste directly into the combustion chamber of the incinerator, the ram will then retract to await the next batch of waste to be loaded into the incinerator once the first cycle has completed.



This process has the advantage of zero manual interaction with the incinerator combustion chamber, which is a safer process with combined push button opening to prevent unsafe operation.

The I8-250-AUTO can be combined with our hydraulic bin-tipping system to further minimize manual labour by depositing the contents of EU size 120/240L bins directly into the loading module.

Compatible with:

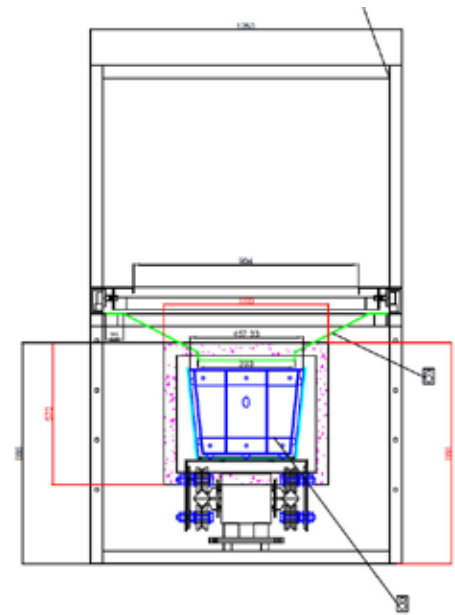
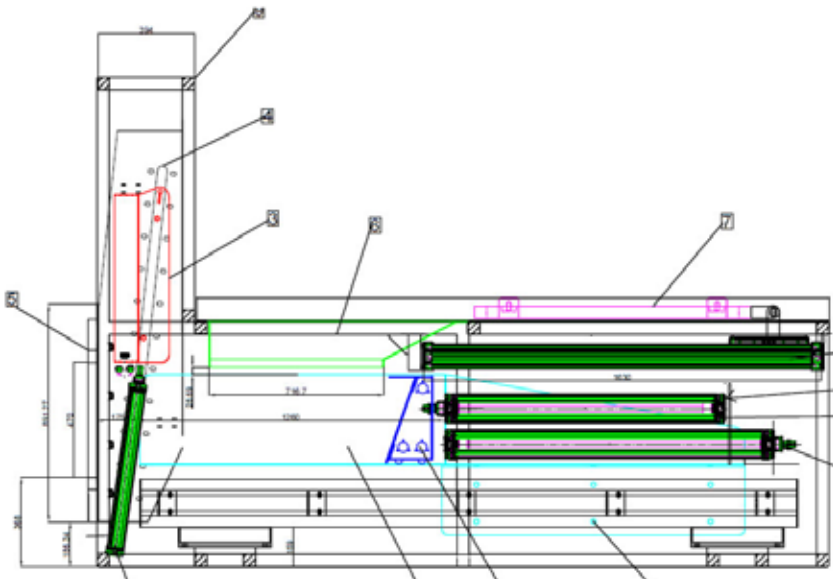
This model of autoloader is suitable for all our mid-range models. For larger models (I8-700, I8-1000) please download the large autoloader brochure.

I8-140A
I8-140G
I8-200A
I8-200G
I8-M200
I8-250A
I8-250G
I8-M250

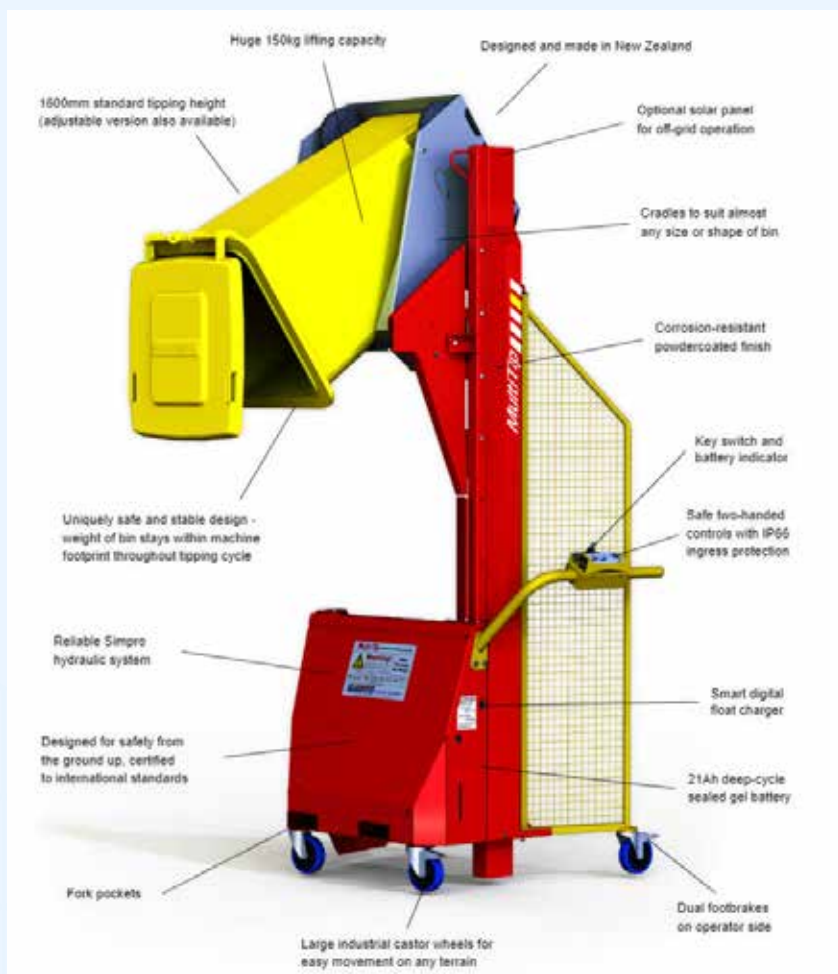
Technical Specification

Loading Aperture:	700mm x 400mm	PLEASE NOTE: Batch sizes and cycle times are subject to waste composition and other local factors.
Shute Material:	Stainless steel	
Housing Material:	Mild steel	
Ram Specification:	1.0m stainless steel dual-ram	
Air Compressor Specification	230V / 50Hz 2 horsepower.	
Cycle Time:	20 minutes	
Batch Size:	0-50kg	
Dimensions (l, w, h):	3.0m x 1.25m x 2.0m	
Waste Loading Height:	1.3m	

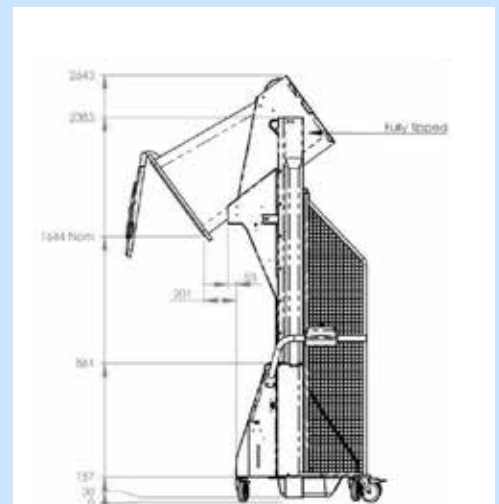
Technical Specification



Optional Bin Tipper



Optional Bin Tipper Drawings



The Multi-Tip from Simpro is everything a bin lifter should be - safe, reliable, cost-effective and easy to use. With a huge 150kg capacity and 15-second tipping cycle, it is ideal for operations where a light-duty mobile bin-tipping machine is required.

The Multi-Tip features a single-mast lifting design which gives the operator an unobstructed view of operations to ensure safety. No cage guard is required, since the two-hand control system prevents the operator from accessing moving parts while using the machine. The open design is also very easy to clean and maintain.

Make/Model:	SIMPRO 1600-B	Supply Voltage (vac):	85-264
Max. Bin Weight:	150kg	Freq. range:	47-63 Hz
Tipping Height:	1600mm	Output Power:	10A / 136W
Machine Weight:	160kg	Motor Power:	800W



 **INCINER8**

www.inciner8.com

INCINER8 Ltd is one of the largest suppliers of cremators & incinerators in the world. Manufacturing in a factory in Southport, Merseyside and shipping out products through our dedicated sales team & Global Dealership Network.

An experienced team of researchers, designers and engineers have made INCINER8 an innovator in the cremation sector, achieving two Queens Awards and many regional business awards for our manufacturing and export capabilities. Our hand engineered machines can process municipal, medical and animal waste streams, providing the best solutions to waste problems around the world.



Speak to the Experts

Our technical sales team are always on hand to answer any questions you may have.

Call **+44 1704 884020** or email sales@inciner8.com